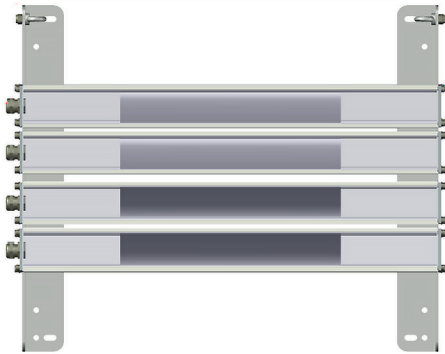


# HIGH INTENSITY OBSTRUCTION LIGHT TYPE A

WHITE FLASH – 200 000 CD DAY / 20 000 CD TWILIGHT / 2 000 CD NIGHT



## 01. DESCRIPTION

The **LEDEO HIA** is a high intensity light with multi-LEDs technology, developed with an aluminum frame for a natural fresh cooling system. Dedicated to a day, twilight and night marking, it is a long life system, with a modular conception to reduce the weight of the flash head. The LEDEO HIA is provided with a control panel including the photocell for an automatic switch ON / OFF, and a dry contact for failure alarm. It has been designed for an easy installation.

## 02. ADVANTAGES

- 120° horizontal beam spread
- Integrated synchronization wire (optical fiber, GPS and TCPIP available)
- Long life time up to 10 years
- Aluminum design for natural cooling system
- Multi-LEDs technology
- Low Consumption <150W at 40 fpm
- Mounting frame included
- No maintenance
- 2-year warranty

## 03. APPLICATIONS

Rules concerning aircraft beaconing are established by the ICAO (Annex 14, Chapter 6). High intensity beacons can be installed on structures higher than 150 meters in height. According to the rules, an uninterruptible power supply cabinet must be installed to insure 12 hours of beaconing in case of power supply failure.

## 04. MODELS

REFERENCE	VOLTAGE	PHOTOCELL	DRY CONTACT
LHIA-TF	110-240V	Not included	Not included
AA-LHIA-A230	110-240V	Included	Included

## SCOPE OF APPLICATIONS



Pylon



Airport



Building



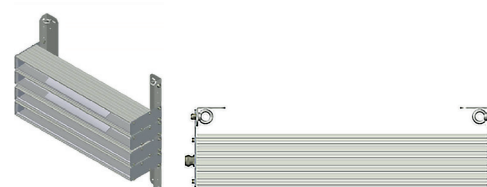
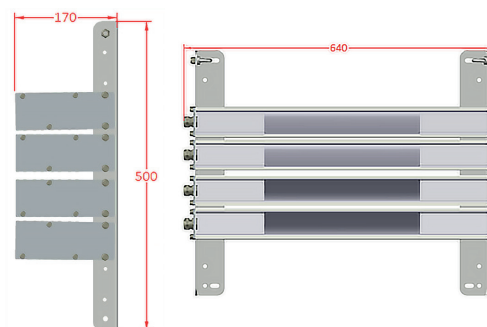
Stack



## 05. CHARACTERISTICS

LUMINOUS	
Luminous source	White flash LEDs
Horizontal / Vertical beam	120° / 3°
Luminous intensity	200 000 Cd Day 20 000 Cd Twilight 2 000 Cd Night
Flash frequency	20 to 60 fpm
MTBF	100 000 hours
ELECTRICAL	
Voltage	110 to 240V AC
Operating temperature	-40°C to +55°C
Consumption	< 150 Watts at 40 fpm
Current I <sub>max</sub>	In 48V: I < 18A (120°) In 230V: I < 4A (120°)
Protection class	IP66
MECHANICAL	
Body lamp material	Aluminum
Lens material	Glass
Height / Length	500mm / 640mm
Weight	< 20 Kg
ENVIRONMENTAL	
Humidity	100%
Frost	-60°C
Wind speed	240 Km/h
CERTIFICATIONS	
CE	EN60947-1 CEI60364, NF C15-100 2014 / 35 / UE
OACI	Annex 14, Volume I, Chapter 6
FAA	Compliant FAA L-856
Quality	ISO 9001 ; 2015
WARRANTY	
Warranty period	2 years

### DIMENSIONS



### AVAILABLE ACCESSORIES FOR INSTALLATION

- Power supply
- UPS System
- Solar kit
- GPS Synchronization, Optical Fiber



HV Line

Crane

Structure

Wind Turbine